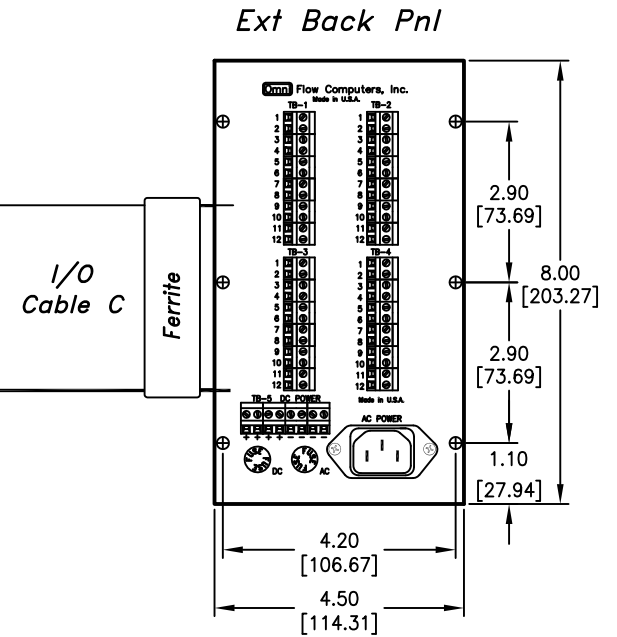
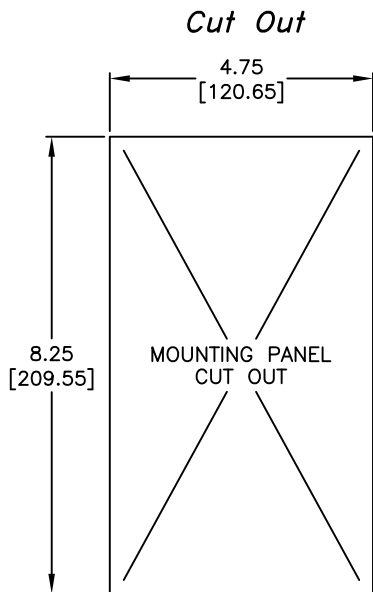
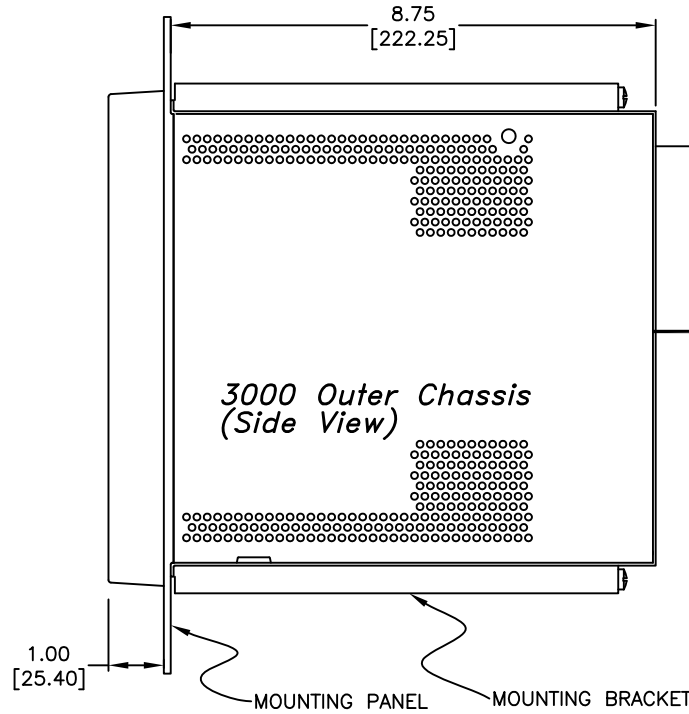
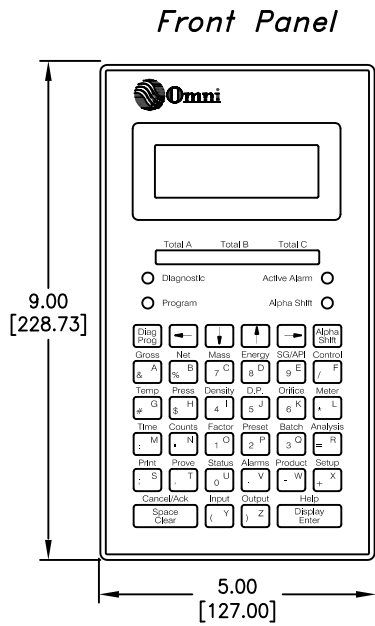


3000 NEMA Option ~ Chassis Dimensions



INSTALLATION NOTES:

1. MOUNT CHASSIS AND EXTENDED BACK PANEL TO BONDED METAL SURFACE.
2. BONDED METAL SURFACE SHALL BE PROVIDED WITH SAFETY EARTH PATH.
3. ATTACH FERRITE CLAMP (PROVIDED) TO THE 64 CONDUCTOR I/O CABLE.
4. 64 CONDUCTOR I/O CABLE 5ft.[152cm] STANDARD TO 15ft.[457cm] MAXIMUM.
5. EXTENDED BACK PANEL MOUNTING KIT: 70000032.

DIMENSION NOTES:

1. EXTENDED BACK PANEL HEIGHT, INCLUDING SPACERS: 2.5in.[64mm].
2. DIMENSIONS SHOWN IN INCHES AND [MILLIMETERS].