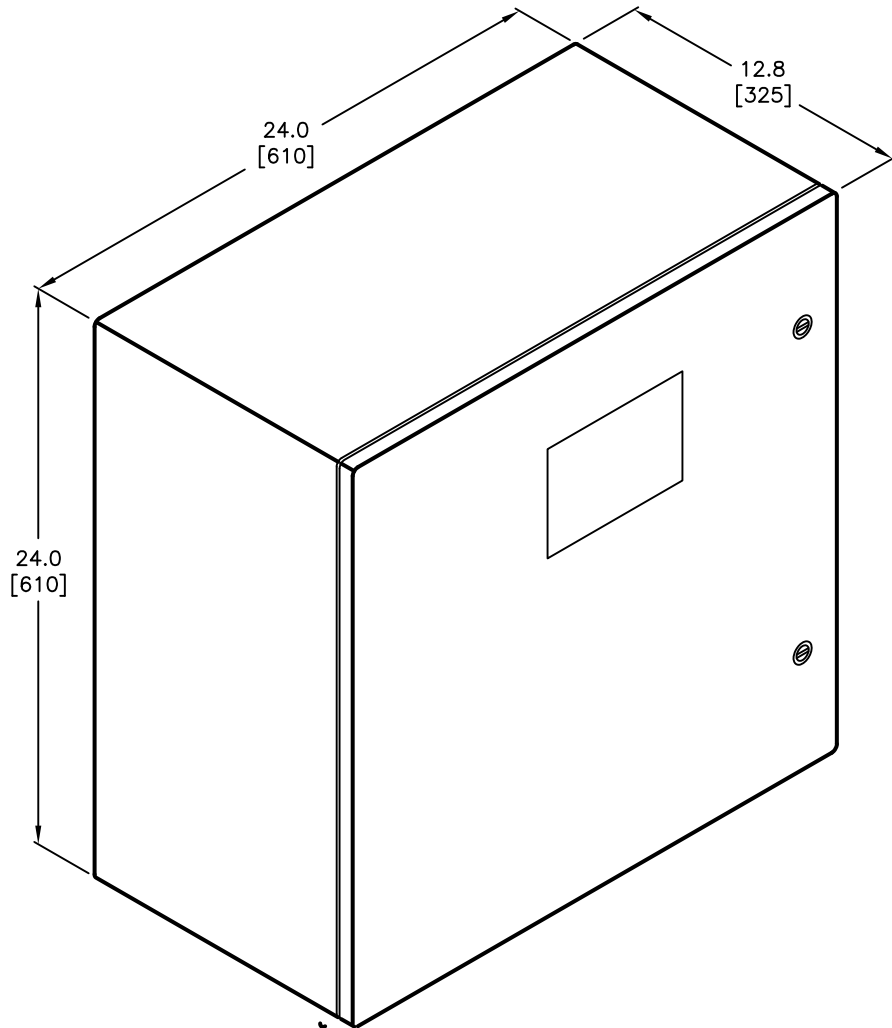


NEMA Enclosure Dimensions



NOTES:

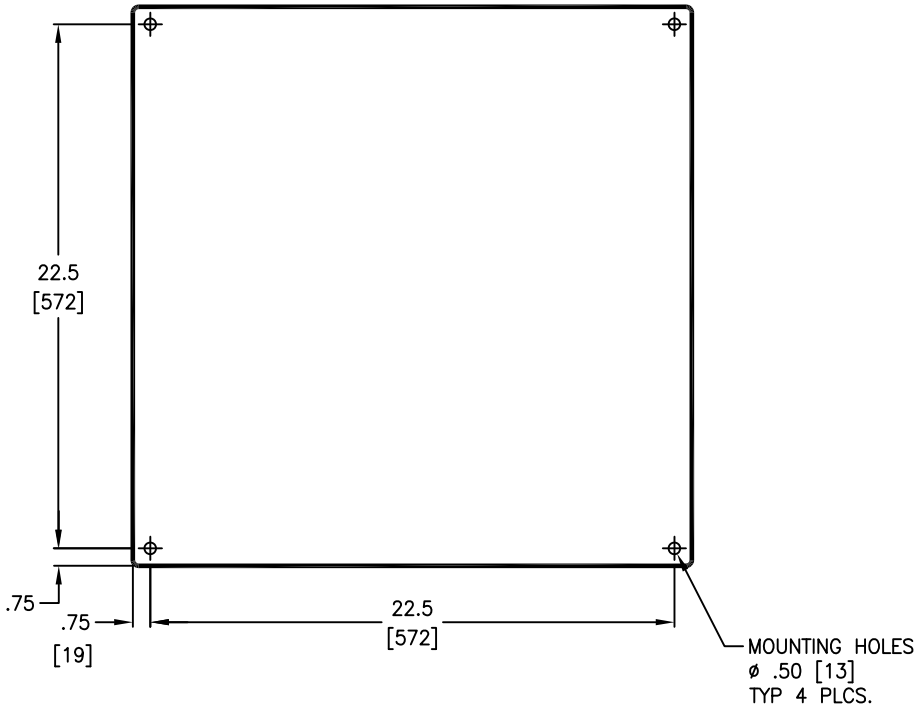
1. ESTIMATED UNIT WEIGHT: 70 LBS. (32 KGS) ~ CARBON STEEL
95 LBS. (43 KGS) ~ STAINLESS STEEL
2. HOFFMAN PROVIDES FACTORY MOUNTING HOLES FOR DIRECT MOUNTING.
3. MOUNTING KITS LISTED BELOW ARE FOR REFERENCE ONLY AND AVAILABLE FROM HOFFMAN; NOT PROVIDED BY OMNI FLOW COMPUTERS.
OPTIONAL MOUNTING FEET: C-MFK ~ ZINK PLATED STEEL
OPTIONAL MOUNTING FEET: C-MFKSS ~ STAINLESS STEEL
OPTIONAL POLE MOUNTING KIT: C-PMK24

DIMENSION NOTES:

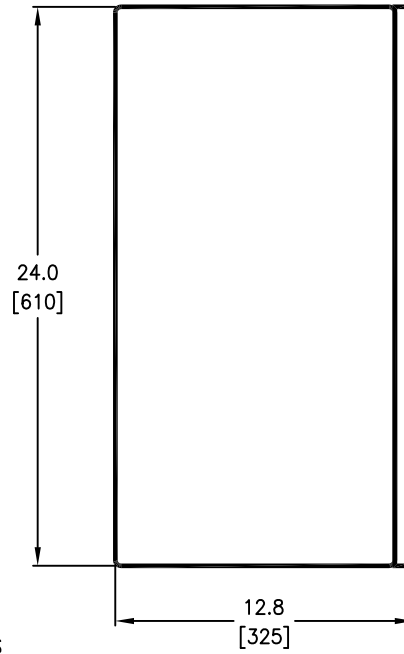
1. DIMENSIONS FOR REFERENCE ONLY.
2. DIMENSIONS SHOWN IN INCHES AND [MILLIMETERS].



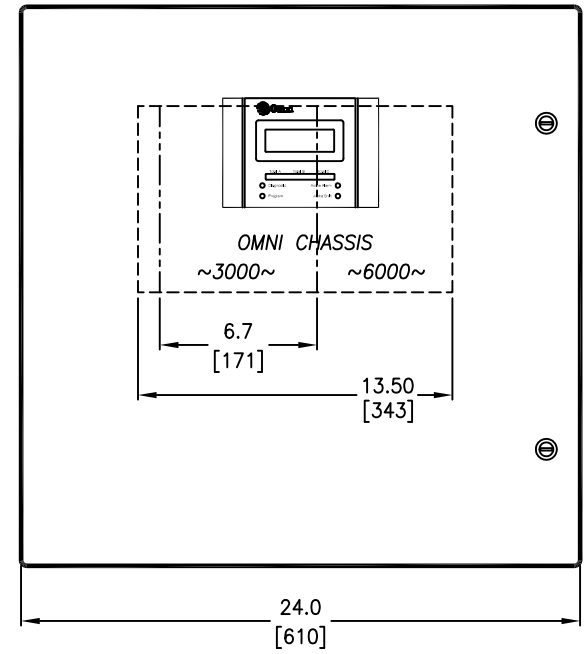
BACK



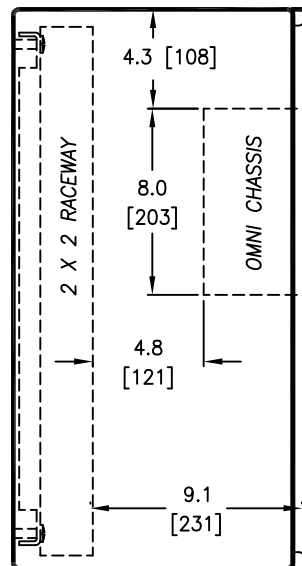
SIDE



FRONT



INSIDE



INTERNAL BACK PANEL

