

ENCLOSURE AND INSTALLATION OPTIONS

THE OMNI 3000 AND OMNI 6000 FLOW COMPUTERS ARE AVAILABLE IN SEVERAL DIFFERENT INSTALLATION AND ENCLOSURE OPTIONS. PANEL AND SIDE MOUNTING, NEMA 4, NEMA 4X, NEMA 4 OPTION AND EXTENDED BACK PANEL, SELECT THE OPTION THAT IS RIGHT FOR YOU.

STANDARD PANEL MOUNT
W/ EXTENDED BACK PANEL
(ORDER CODE: PMN4O)

SEVERAL FLOW COMPUTER MOUNTING OPTIONS ARE AVAILABLE WITH THE EXTENDED BACK PANEL. SCREW TYPE TERMINALS ARE PROVIDED FOR AC AND DC POWER. EXTENDED 64-CONDUCTOR RIBBON CABLES AND THE AC CABLES ARE PROVIDED WITH A STANDARD LENGTH OF 5 FEET (10 FOOT AND 15 FOOT ALSO AVAILABLE).



NEMA 4 OPTION
(ORDER CODE: NE4OPT)

THE NEMA 4 OPTION ALLOWS FOR SIDE MOUNTING OF THE OMNI FLOW COMPUTER. THIS OPTION IS FOR USE IN NEMA 4 AND NEMA 4X ENCLOSURES. EXTENDED 64-CONDUCTOR RIBBON CABLES AND THE AC CABLES ARE PROVIDED WITH A STANDARD LENGTH OF 5 FEET (10 FOOT AND 15 FOOT ALSO AVAILABLE). AS WELL AS A STANDARD 18 INCH FRONT PANEL CABLE.

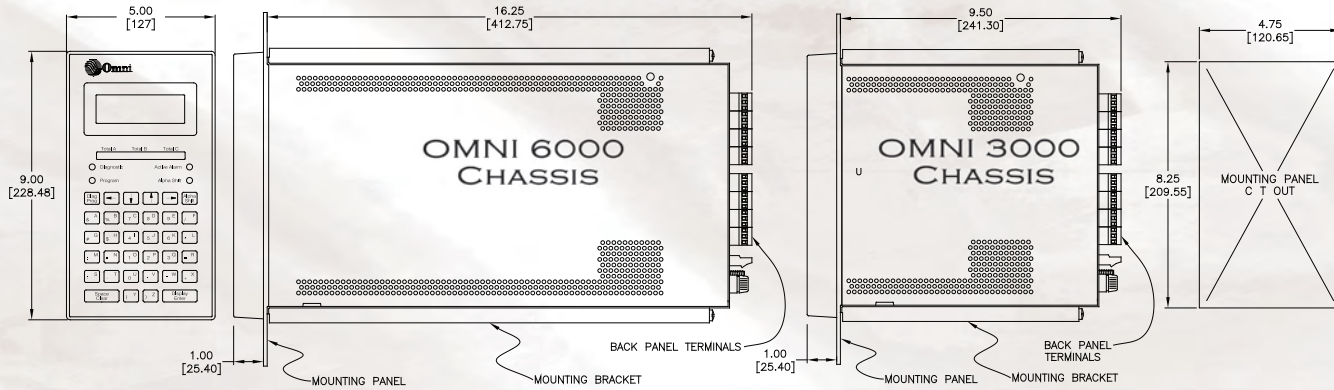
NEMA 4 AND NEMA 4X

BOTH THE NEMA 4 AND NEMA 4X ARE WEATHER-PROOF ENCLOSURES. THE NEMA 4 IS A PAINTED CARBON STEEL ENCLOSURE, WHEREAS THE NEMA 4X IS A STAINLESS STEEL ENCLOSURE. EITHER THE OMNI 3000 OR OMNI 6000 FLOW COMPUTERS CAN BE MOUNTED ON A STURDY SWING FRAME INSIDE THE ENCLOSURE. THE ENCLOSURES ALSO INCLUDES A 5" X 3" VIEWING WINDOW, WITH A 1/4" LEXAN PLATE TO ALLOW EASY VIEWING.

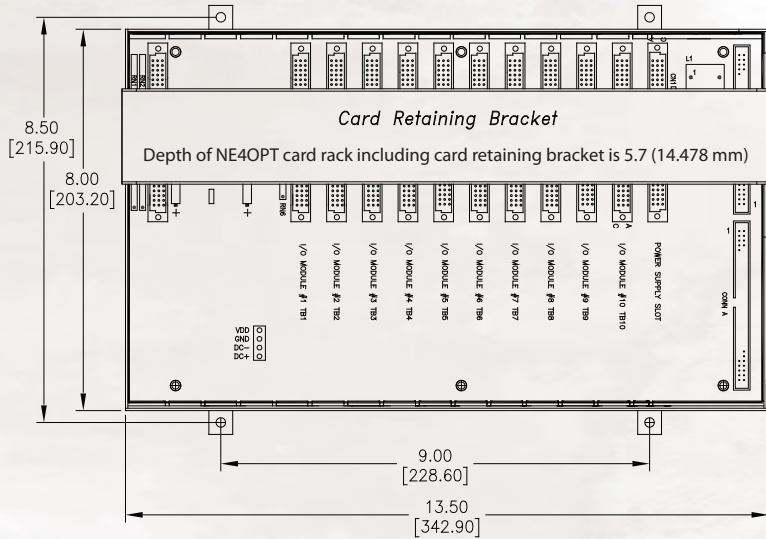


CONFIGURATION AND MOUNTING SPECIFICATIONS

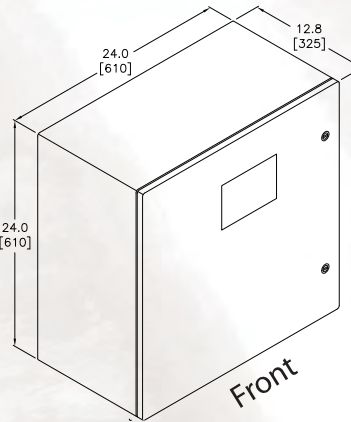
PANEL MOUNTING



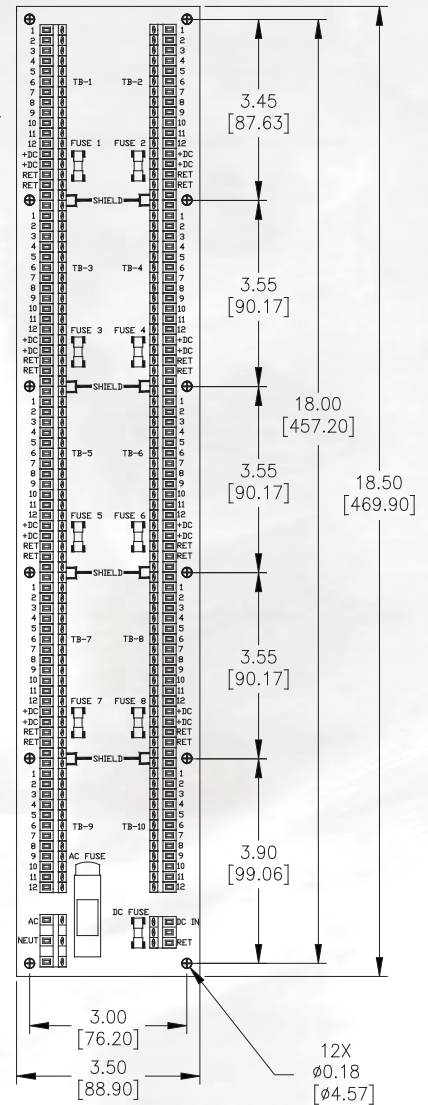
SIDE MOUNTING



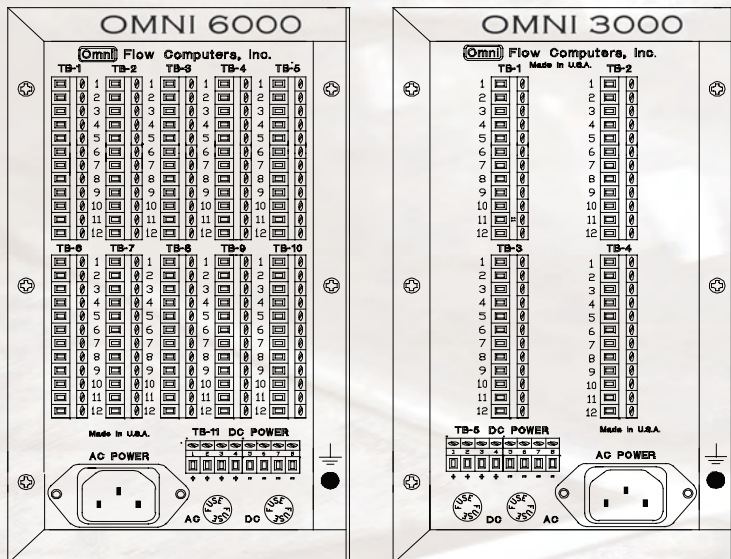
NEMA 4 & 4X ENCLOSURE DIMENSIONS



EXTENDED BACK PANEL



BACK PANEL TERMINATION



MEASUREMENTS PRESENTED IN INCHES AND MILLIMETERS IN BRACKETS []

SPECIFICATIONS ARE SUBJECT TO CHANGE BY MANUFACTURER WITHOUT NOTICE DUE TO MODIFICATIONS OR IMPROVEMENTS. FOR ADDITIONAL MOUNTING SPECIFICATIONS REFER TO THE WEBSITE.

58-0004-0002/C